

Model: ENERGY
EF54P

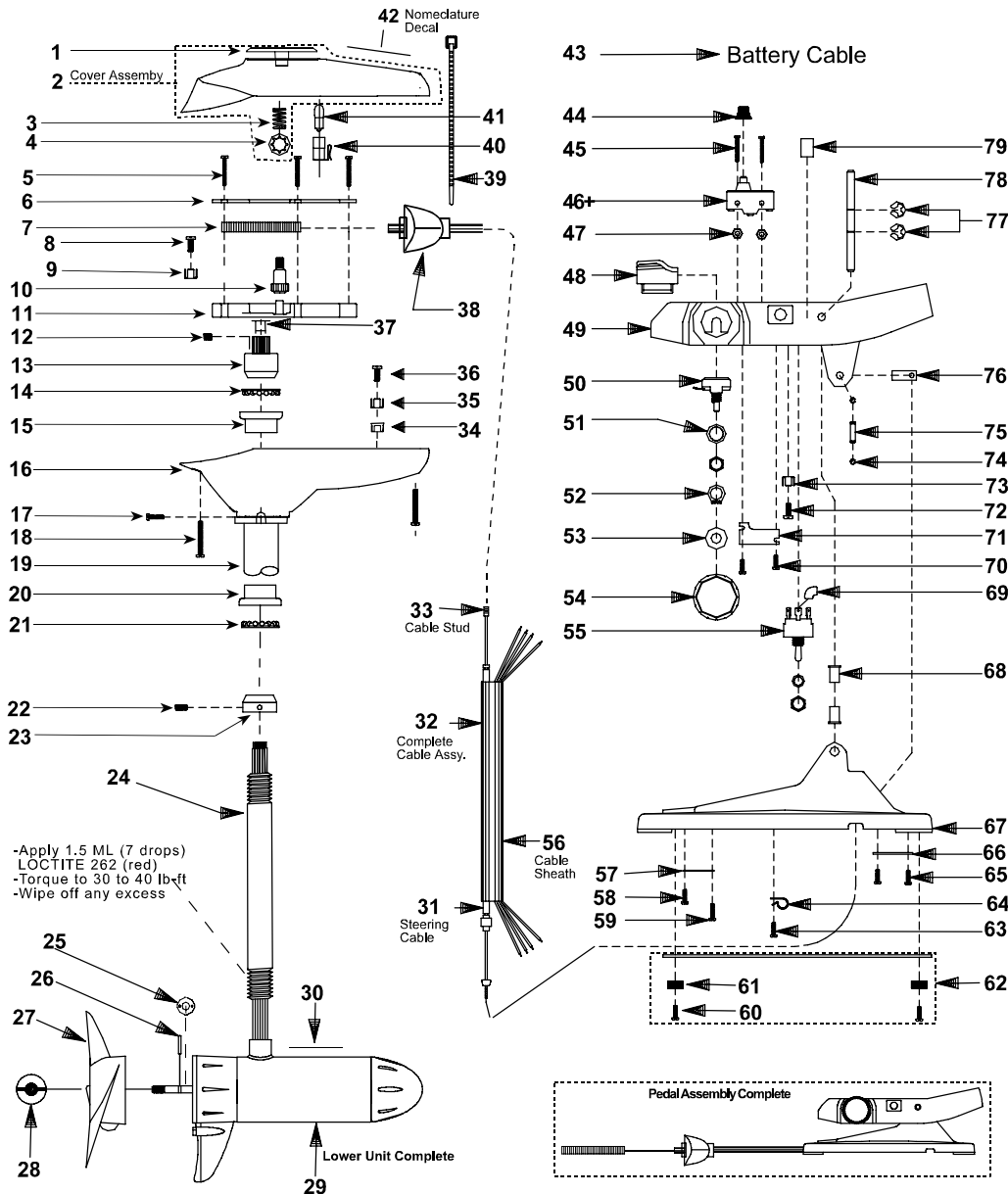
SPECIFICATIONS:

Year of Intro	2001
Thrust	54 LBS
Volts	12VDC
Amp Draw	0 to 48 amps
Mount	15 Bow
Speeds	5 Forward

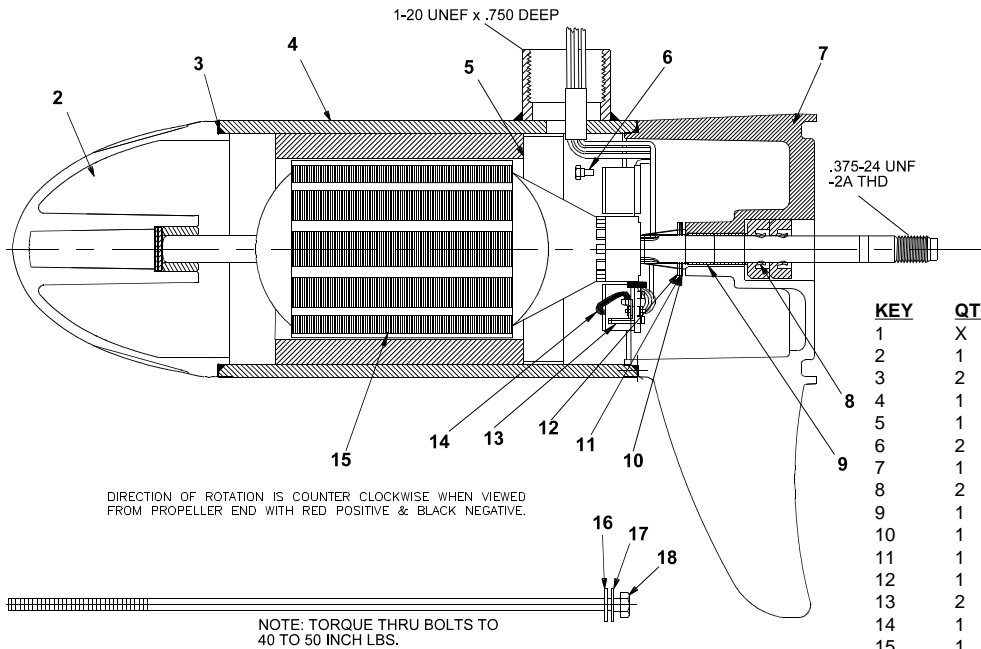
PARTS ORDERING & TECH ASSISTANCE

MotorGuide Consumer Relations
 Phone 918-266-8398
 Fax 800-982-8093

Returned Goods must be accompanied with a Returned Goods Authorization. Contact MotorGuide Consumer Relations to obtain RGA.



KEY	DESCRIPTION	PART #	KEY	DESCRIPTION	PART #	KEY	DESCRIPTION	PART #
1	RED INDICATOR	AF078-08	29	MOTOR	DS397-10	54	SPEED KNOB	LP082-07
2	T/H COVER COMPLETE BLACK	EF053-17	30			55	TOGGLE SWITCH 3 POSITIONS	FP153-03
3	COMPRESSION SPRING	AF014-01	31	63" CONTROL CABLE STUD ASY	9377	56	69" ELECTRIC CABLE JACKET	MM9006-03
4	TINNERMAN CLIP	AF046-01	32	69" CONTROL CABLE STUD ASY	9767	57	63" ELECTRIC CABLE JACKET	MM9006-02
5	#6 RACK GUIDE SCREW	XF133-01	33	63" CONTROL CABLE ASY	AP327-16	58	CABLE PLATE	KP123-01
6	RACK GUIDE COVER	AF127-01	34	69" CONTROL CABLE ASY	AP327-18	59	#6 SELF TAP SCREW	EK135-01
7	RACK	AP125-01	35	CONTROL CABLE STUD	AP141-01	60	6 X 1/2 SCREW	AF135-01
8	#10 X 1/2 SCREW	RT133-03	36	ON SERT PAL NUT	TT098-03	61	6 X 1/2 SCREW	AF135-01
9	TERMINAL (4 PRONG)	FT160-03	37	TERMINAL (4 PRONG)	FT160-03	62	FOOT PEDAL PAD	KP023-01
10	INDICATOR GEAR	AF069-01	38	#10 X 1/2 SCREW	RT133-03	63	WEIGHT PLATE ASY	LP3123-01
11	RACK GUIDE	AF126-01	39	PINION NUT BUSHING	AF021-01	64	6 X 1/2 SCREW	AF135-01
12	1/4 NUT SET SCREW	AF142-01	40	GROMMET	AP071-02	65	CABLE CLAMP	KP036-01
13	PM PINION NUT	AF398-01	41	CABLE TIE	AF030-01	66	SCREW	IR133-01
14	BEARING	FM005-01	42	LAMP HOLDER	AF394-01	67	BATTERY CLAMP	KP036-02
15	BEARING CUP	AF007-01	43	LAMP	AF093-03	68	FOOT PEDAL BASE	LP003-01
16	T/H BASE BLACK	EF004-16	44	NOMENCLATURE	DF056-19	69	SHAFT BUSHING	KP021-01
17	RIVET	LF111-03	45	BATTERY CABLE ASY	EP328-07	70	INSULATING SLEEVE	AT080-01
18	#8 X 5/8 SCREW	AT141-01	46	MICRO SWITCH BOOT	KP157-01	71	6 X 1/2 SCREW	AF135-01
19	42/50" OUTER TUBE	AF165-06	47	#6 32 X 1 1/2 SCREW	LP135-01	72	RETAINER PLATE	LP1233-03
20	BEARING CUP	FM007-01	48	MICRO SWITCH	AP151-01	73	#10X1/2 SCREW	RT133-03
21	BEARING	FM005-01	49	6 - 32 NUT S.S.	SP098-02	74	ON SERT PAL NUT	TT098-03
22	CONE SET SCREW	AF143-01	50	MICRO BUTTON	LP026-01	75	E RING	FP046-01
23	BEARING CONE	AF006-01	51	FOOT PEDAL	LP101-02	76	CABLE PIVOT PIN	AP105-01
24	42" .105 SS F/O COLUMN	AF049-09	52	ROTARY SWITCH	HF150-01	77	CABLE PIVOT	LP091-01
25	MONOFILAMENT WASHER	AR175-01	53	LOCK WASHER 3/8	KP171-01	78	.312 E RING	BK046-02
26	PROP DRIVE PIN	BR102-02		GRIP RING	LP046-01	79	FOOT PEDAL ROCKER PIN	LP102-01
27	PROP	AF124-12		NYLON WASHER	AK171-02		SWITCH DECAL	LP057-09
28	PROP NUT	AR099-01						



DIRECTION OF ROTATION IS COUNTER CLOCKWISE WHEN VIEWED FROM PROPELLER END WITH RED POSITIVE & BLACK NEGATIVE.

NOTE: TORQUE THRU BOLTS TO 40 TO 50 INCH LBS.

KEY	QTY	DESCRIPTION	PART NO.
1	X	MOTOR	Ds397-10
2	1	NOSE CAP	XF3212-01
3	2	O RING SEAL	MR217-01
4	1	HOUSING ASY	US3210-03
5	1	RETAINER	JF233-01
6	2	BRUSH CARD SCREW	MR228-01
7	1	COMM CAP	DF3205-06
8	2	SHAFT SEAL	MR223-01
9	1	BEARING	MR206-01
10	1	NYLATRON WASHER	MR226-01
11	1	WASHER	MR227-01
12	1	E RING	MR219-02
13	2	BRUSH SPRINGS	MR214-02
14	1	BRUSH ASY LESS SPRING	DF3201-01
15	1	ARMATURE	CF3207-02
16	4	STATIC SEAL	MR222-01
17	4	THRU BOLT WASHER	MR216-01
18	2	THRU BOLT	MR218-01

WIRING

